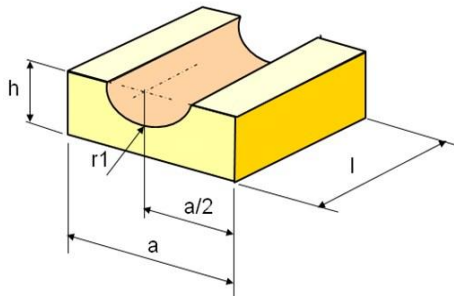


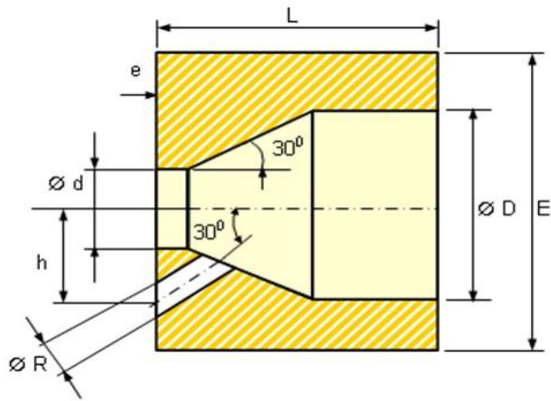
**KONTROL DELİĞİ TUĞLASI  
MEASURING HOLE BRICKS**

Poz Item	a	h	l1	l2	r1	r2	Hacim Volume dm <sup>3</sup>
FE 2	187	98	250	200	55	30	3,93



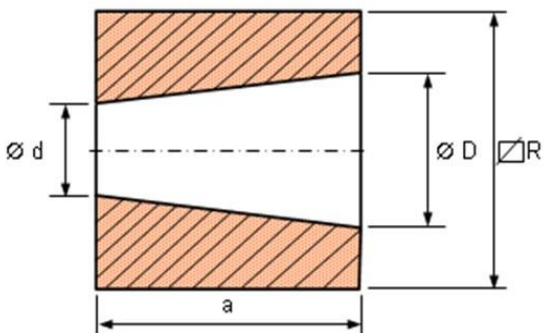
**KONTROL DELİĞİ TUĞLASI  
MEASURING HOLE BRICKS**

Poz Item	a	h	l	r	Hacim Volume dm <sup>3</sup>
FE 3	124	64	250	20	1,83



**BEK TUĞLALARI  
GAS BURNER BRICKS**

Poz Item	Ø d	e	Ø D	E	L	h	Ø R	J	K	Hacim Volume dm <sup>3</sup>
780	65	26	192	318	268	102	44	110	132	14.00
781	90	26	230	356	345	130	44	143	176	25.15
782	115	32	254	432	382	152	44	120,4	230	43,62
783	115	50	280	432	382	152	44	143	189	42.17
784	115	50	310	490	450	165	44	169	231	65.25
785	150	55	310	490	450	165	44	138,6	256	64.09



**BEK TUĞLALARI  
GAS BURNER BRICKS**

Poz Item	α	Ø d	Ø D	Ø R	Hacim Volume dm <sup>3</sup>
BR - 26	250	120	160	260	13.05
BR - 30	250	120	200	300	17,45