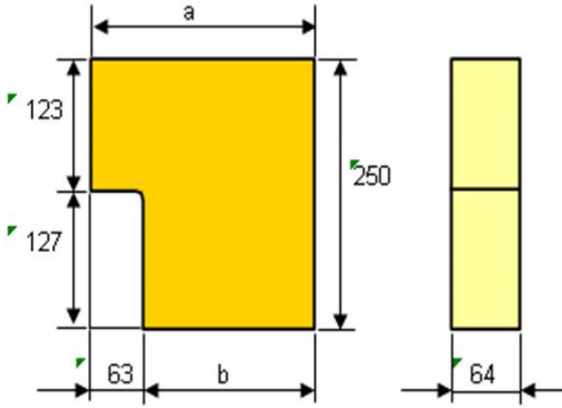


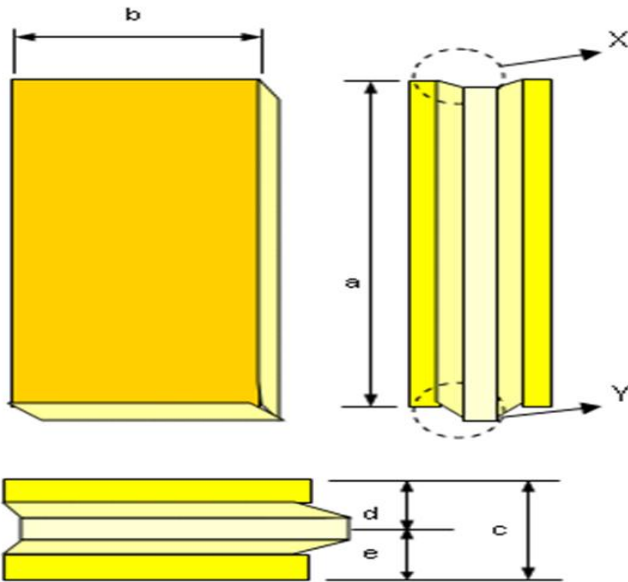
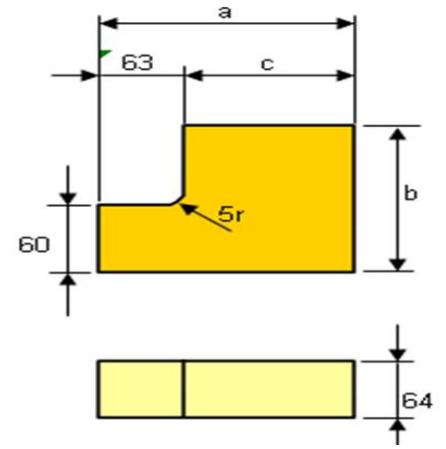
DİLATASYON TUĞLALARI
EXPANSION JOINT



Poz İtem	a	b	Hacim Volume dm ³
FE 4	250	187	3,55
FE 5	187	124	2,52

DİLATASYON TUĞLALARI
EXPANSION JOINT

Poz İtem	a	b	c	Hacim Volume dm ³
FE 9	187	123	124	1,24
FE 10	250	123	187	1,74



GEÇMELİ DUVAR TUĞLALARI
INTERLACED WALL BRICKS

Poz İtem	Boyutlar (mm) Dimensions (mm)					Hacim Volume dm ³
	a	b	c	d	e	
6N	295	133	64	32	32	2,51
6V	145	133	64	32	32	1,23
9N	295	133	90	32	58	3,53
9V	145	133	90	32	58	1,74
12N	295	133	120	32	88	4,71
12V	145	133	120	32	88	2,31

