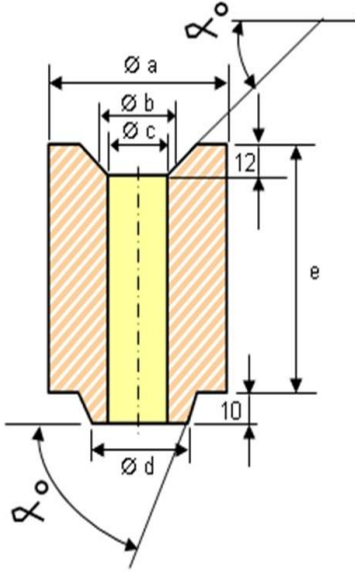
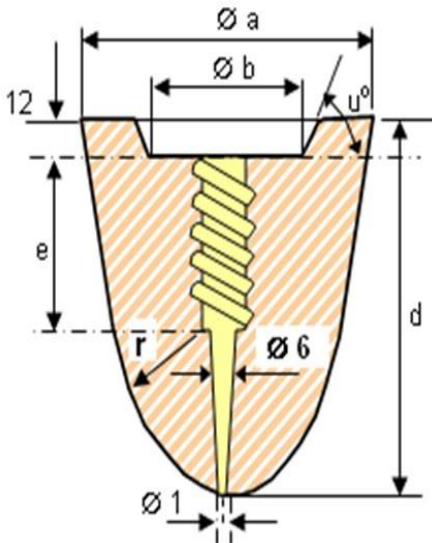


**POTA MİL TUĞLALARI
LADLE TUBE BRICKS**



Poz İtem	Boyutlar (mm) Dimensions in (mm)						Hacim Volume V dm ³
	$\varnothing a$	$\varnothing b$	$\varnothing c$	$\varnothing d$	e	α	
SR0	90	62	40	60	270	75	1,37
SR1	105	72	47	70	330	75	2,27
SR2	120	72	47	70	330	60	3,15
SR3	140	72	47	70	330	60	4,50
SR4/1	155	72	47	70	330	60	5,64
SR4/2	155	97	60	95	330	60	5,27
SR5	170	97	60	95	330	60	6,54
SR6	210	97	60	95	330	60	10,48



**TAPA TUĞLALARI
STOPPER BRICKS**

Poz İtem	Boyutlar (mm) Dimensions in (mm)									Hacim Volume V dm ³
	$\varnothing a$	$\varnothing b$	$\varnothing c$	d	e	f	r	R	U°	
SO	90	62		120	80		40		75	0,50
S1	105	72		130	90		45		75	0,70
S2	120	72		135	90		55		60	1,06
S3	140	72		145	90		60		60	1,47
S4/1	155	72		155	90		65		60	1,89
S4/2	155	97		155	90		65		60	1,84
S5	170	97		170	90		70		60	2,46
S6	210	97	172	220	90	120	60	143	60	4,63

